

SYDNEY STEEL

GALLERY

ABOUT US

based in sydney, australia, sydney steel gallery has a combined industry experience of 10+ years. with both aesthetics & functionality in mind, our brand offers an extensive and flexible range of steel doors and steel windows to designers, builders & developers around sydney and beyond.

bespoke and affordable, our products are designed in-house by our team of industry professionals. our steel doors and steel windows are made with high quality galvanised steel featuring single & double glazed glass, crafted overseas by our team of highly skilful metal fabricators. as steel is known as one of the most sustainable building products in the world, our products make for an eco-conscious addition and significant investment to any home. unlike aluminium and timber door and window frames, the durability and strength steel holds allows these additions to create an impact that these other products can't compete with.

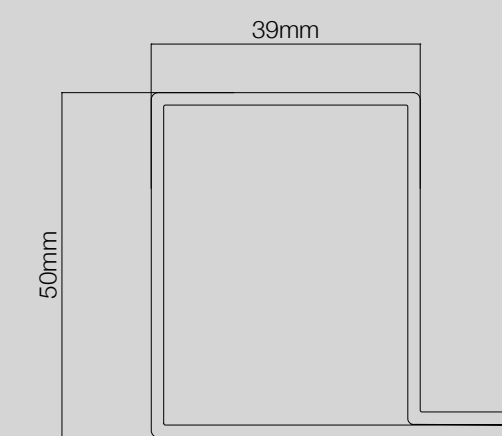
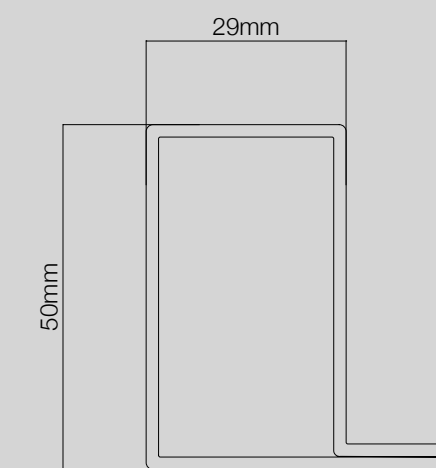
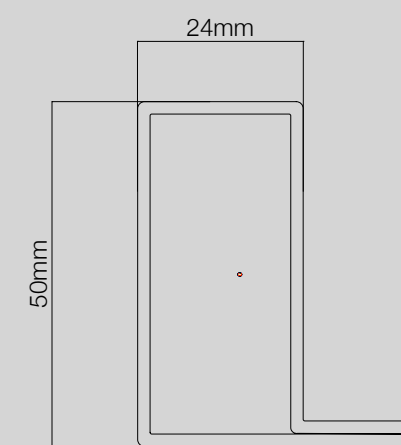
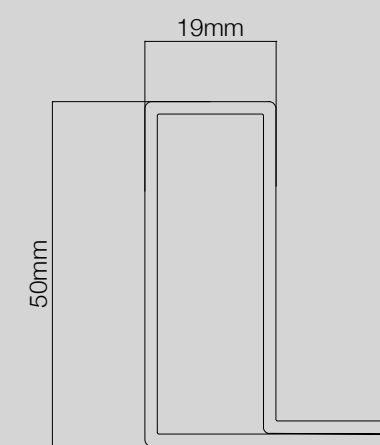
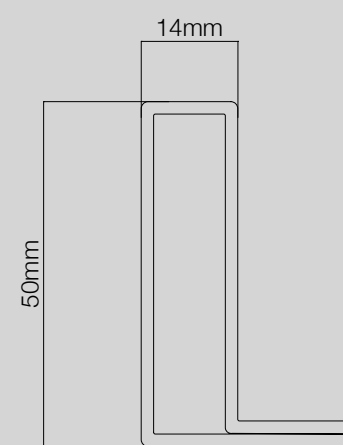
W50 STANDARD SLIMLINE STEEL

SPECS

- precision cold formed steel profile
- "p" profile design
- 2mm wall thickness tube with foam injected for insulation
- compact profiles with minimal depth and sight lines
- low emissivity double-glazing up to 37 mm
- glazing bead options
- zinc-magnesium pre-coating for corrosion protection



PROFILES



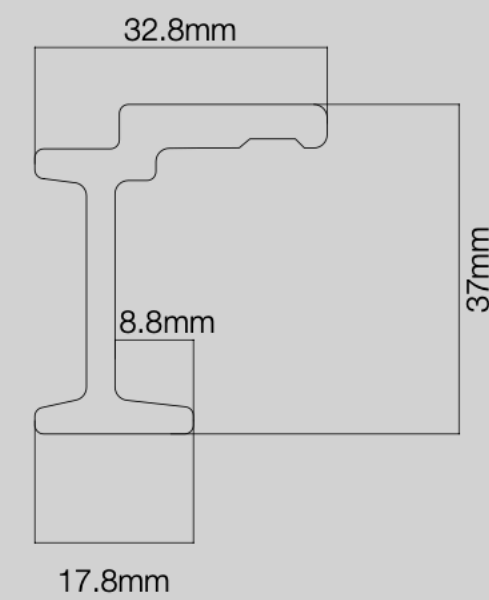
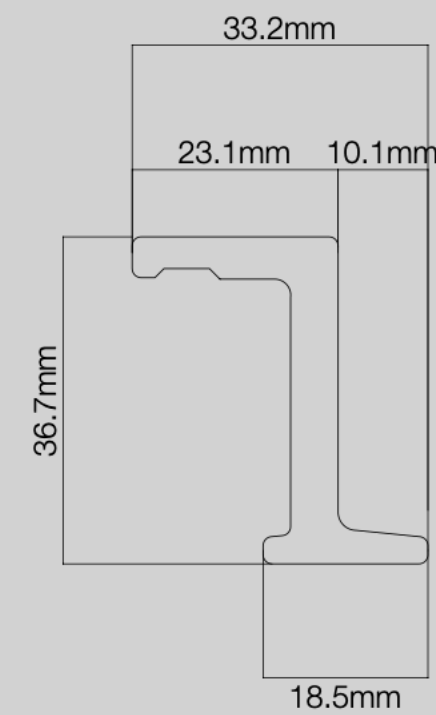
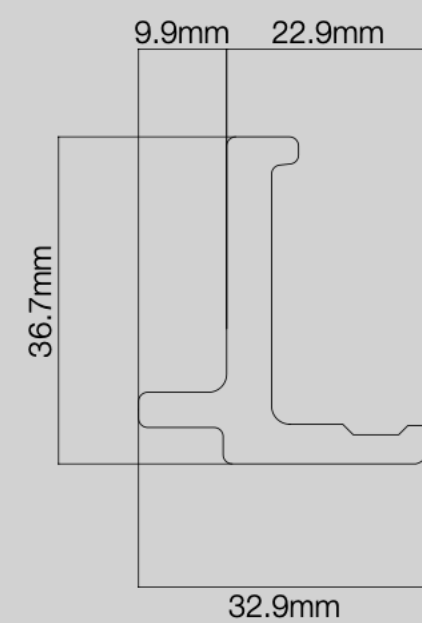
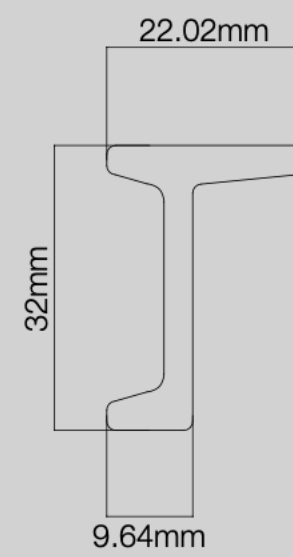
W20 SWISS STEEL

SPECS

- solid hot rolled steel profile
- “stepped leg” double rebated design
- material thickness up to 5 mm
- very compact profiles with minimal depth and sight lines
- low emissivity double-glazing up to 27 mm
- choice of glazing beads
- zinc-magnesium pre-coating for corrosion protection



PROFILES



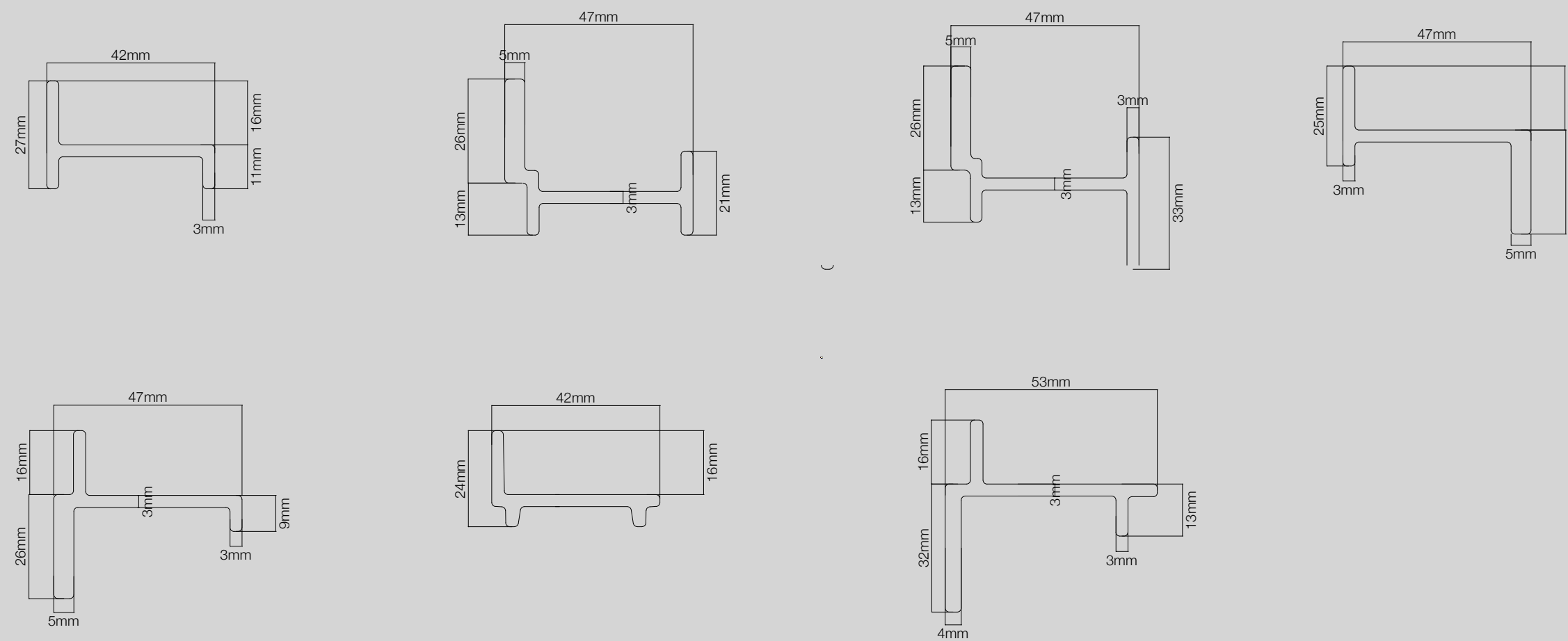
W40 SWISS STEEL

SPECS

- precision cold formed steel profile
- "p" profile design
- 2mm wall thickness tube with foam injected for insulation
- compact profiles with minimal depth and sight lines
- low emissivity double-glazing up to 37 mm
- glazing bead options
- zinc-magnesium pre-coating for corrosion protection



PROFILES



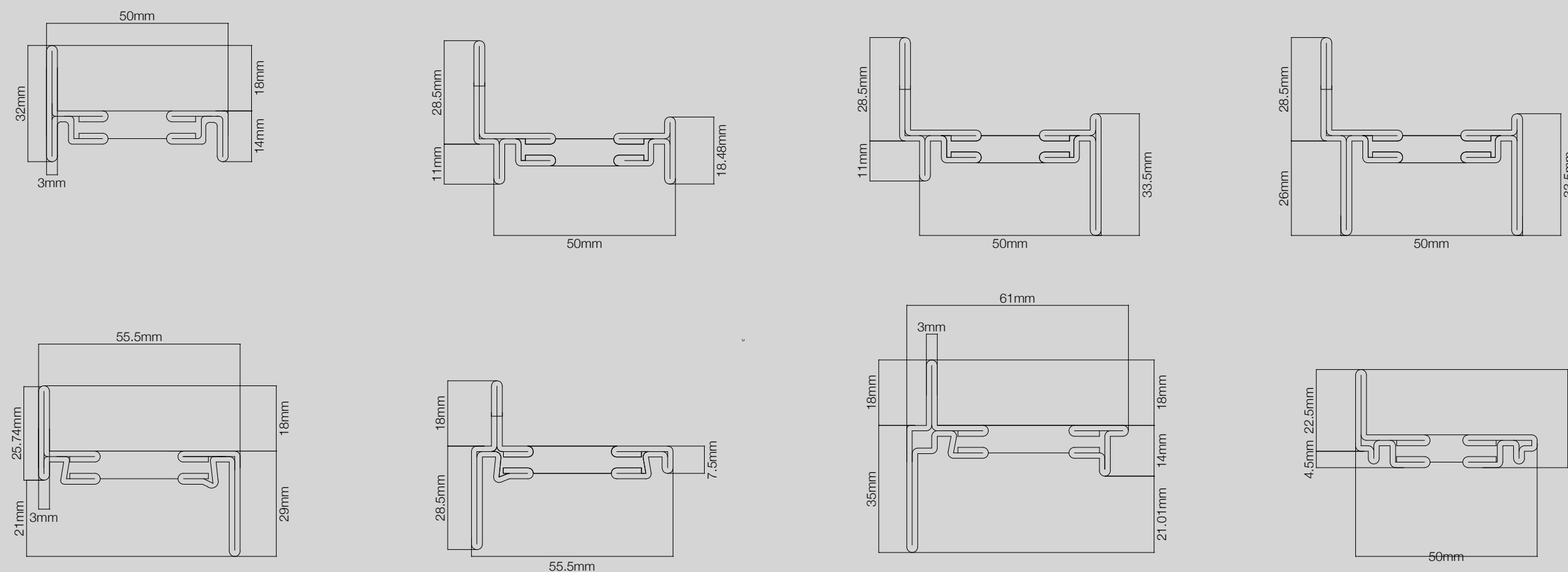
MTS50 THERMALLY BROKEN

SPECS

- precision solid cold formed thermally broken steel profiles
- “stepped leg” double rebated design
- high density cast in polyurethane isolator
- very compact profiles with minimal depth and sightlines
- low emissivity double-glazing up to 37 mm
- choice of glazing beads
- zinc-magnesium pre-coating for corrosion protection
- helps maintain a consistent temperature by preventing heated or cooled air from escaping, which is more energy efficient



PROFILES



TREATMENT, COLOURS & FINISHES

TREATMENT

all products all of our products are made with high quality galvanised steel featuring single & double toughened glazing, crafted overseas by our team of highly skilful metal fabricators.

painted in fluorocarbon, superior to powder coating performance. wear-resistant, weather-resistant & uv-resistant. fluorocarbon paint is commonly used in the marine industry on ships, docks & marine plants. this paint provides more protection against rust, weather and fading than regular powder coating.

W50 STANDARD SLIMLINE STEEL

- zinc-magnesium pre-coating for corrosion protection
- grit blasting SA 2.5
- first layer is a sealing prime
- second layer is a high-durability fluorocarbon top coating
- total thickness is at least 150—180 microns according to VMRG quality requirements

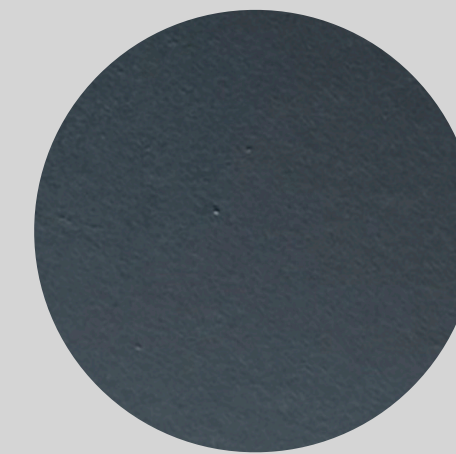
W20 SWISS STEEL W40 SWISS STEEL

- grit blasting SA 2.5
- first layer is zinc galvanised
- second layer is a sealing primer
- third layer is a high-durability fluorocarbon top coating
- total thickness is at least 150—180 microns according to VMRG quality requirements

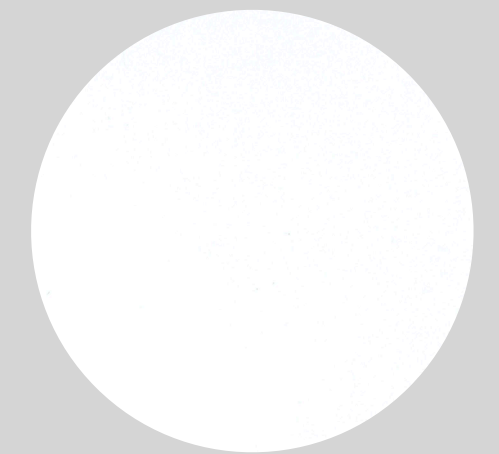
MTS50 THERMALLY BROKEN

- zinc-magnesium pre-coating for corrosion protection
- grit blasting SA 2.5
- first layer is a sealing primer
- second layer is a high-durability fluorocarbon top coating
- total thickness is at least 150—180 microns according to VMRG quality requirements

COLOURS



black



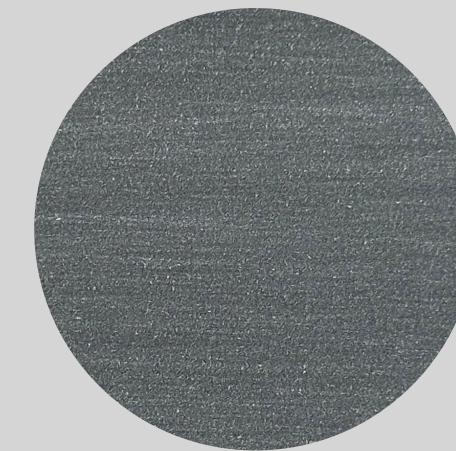
white



medium bronze



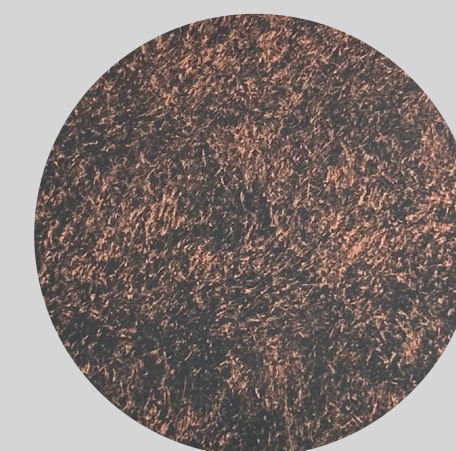
heavy silver



silver pewter



heavy gold



antique copper

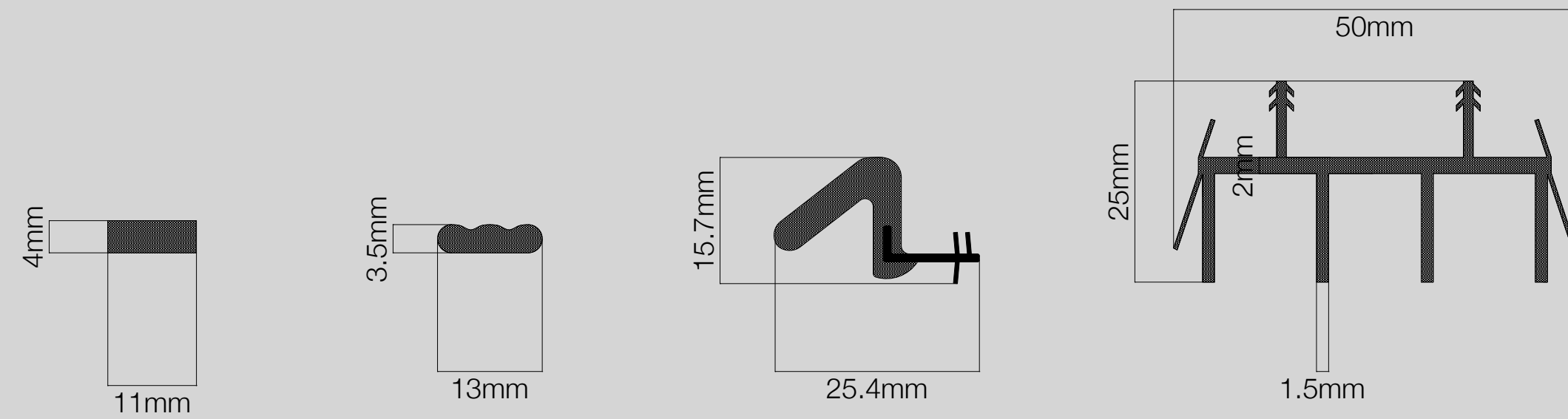


colours available in standard finishes as provided above or using ral powdercoat colours at an additional cost
www.ralcolorchart.com/

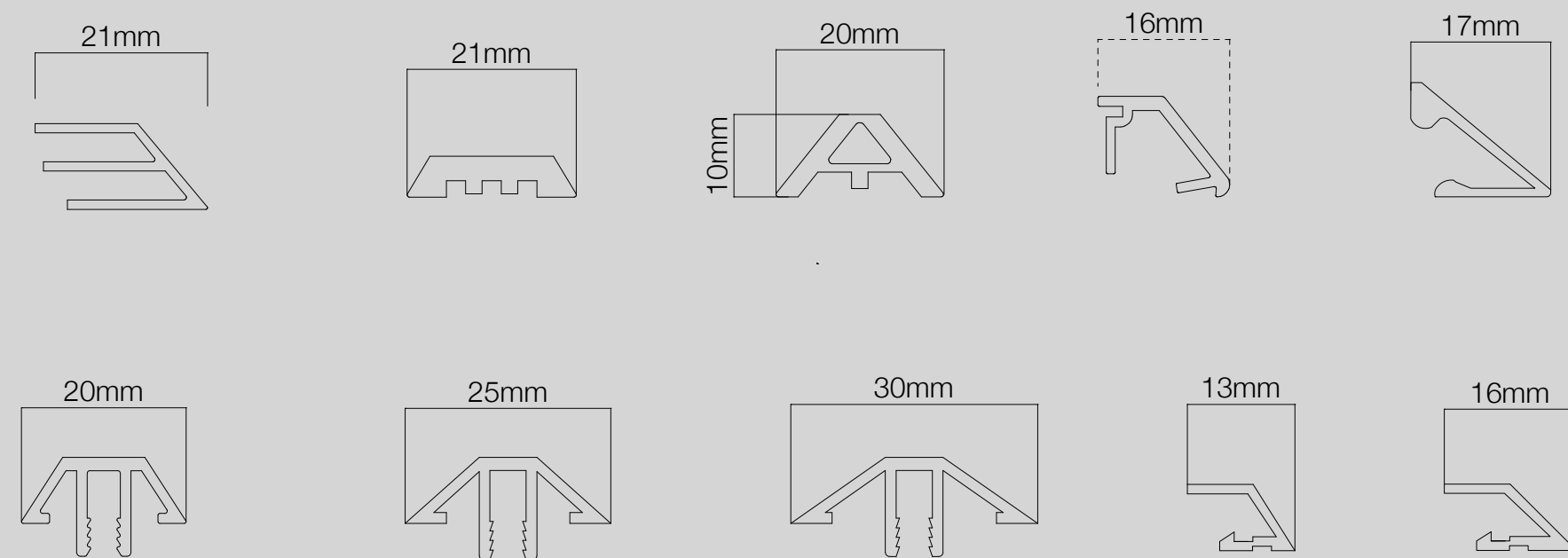
GLAZING OPTIONS

GLAZING BEADS & WEATHER STRIPS

WEATHER STRIPS



GLAZING BEADS



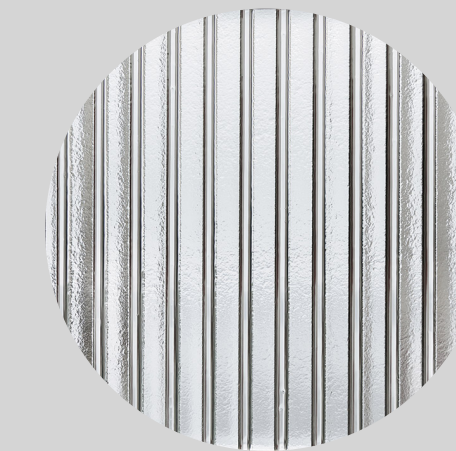
GLASS TYPE



clear glass



frosted glass



ribbed glass



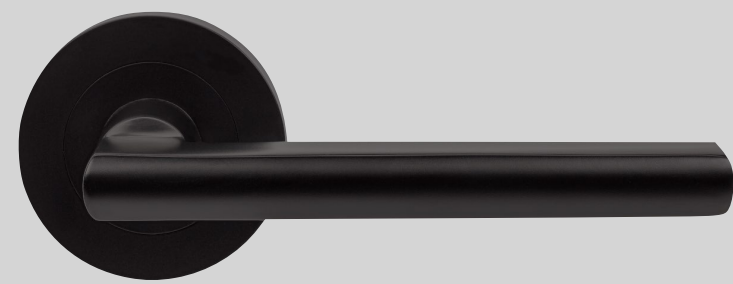
rain glass



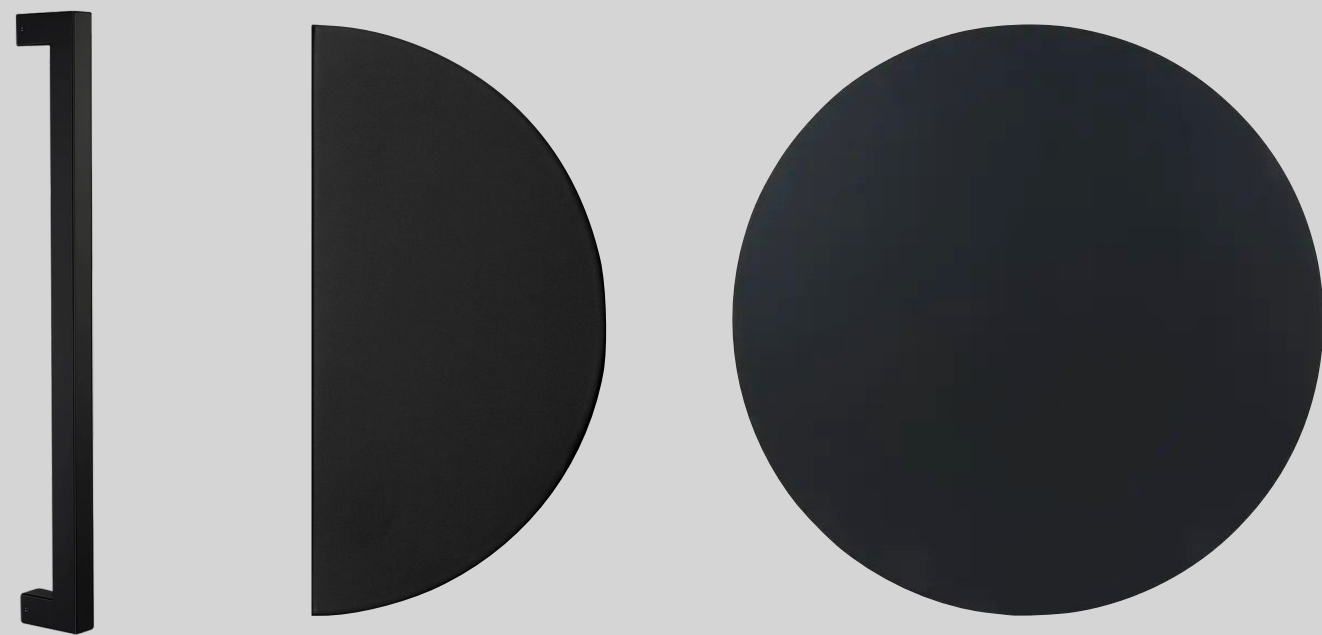
flemish glass

HANDLES

DOOR HANDLES



standard lever handle



standard pull handles

door handles can be customised at an additional cost

WINDOW HANDLES



key locking window handles
a classic straight key-locking handle, which can be fitted directly to the window. suitable for both residential and commercial properties



classic window handles
arched classic handle, which can be fitted directly to the window. suitable for both residential and commercial properties



key locking window handles
a classic straight handle, which can be fitted directly to the window. suitable for both residential and commercial properties



classic arch duplex handle
a classic arch duplex handle, which can be fitted directly to the window. suitable for both residential and commercial properties